



RETRACTABLE AWNINGS

For Technical Support visit us at <http://ownerscorner.sunsetter.com>,
e-mail contactus@sunsetter.com, or Call Toll Free 800-670-7071 • Fax 877-224-4944

Platinum Plus Semi-Cassette Awning Motor Replacement Instructions * Helpers Needed *

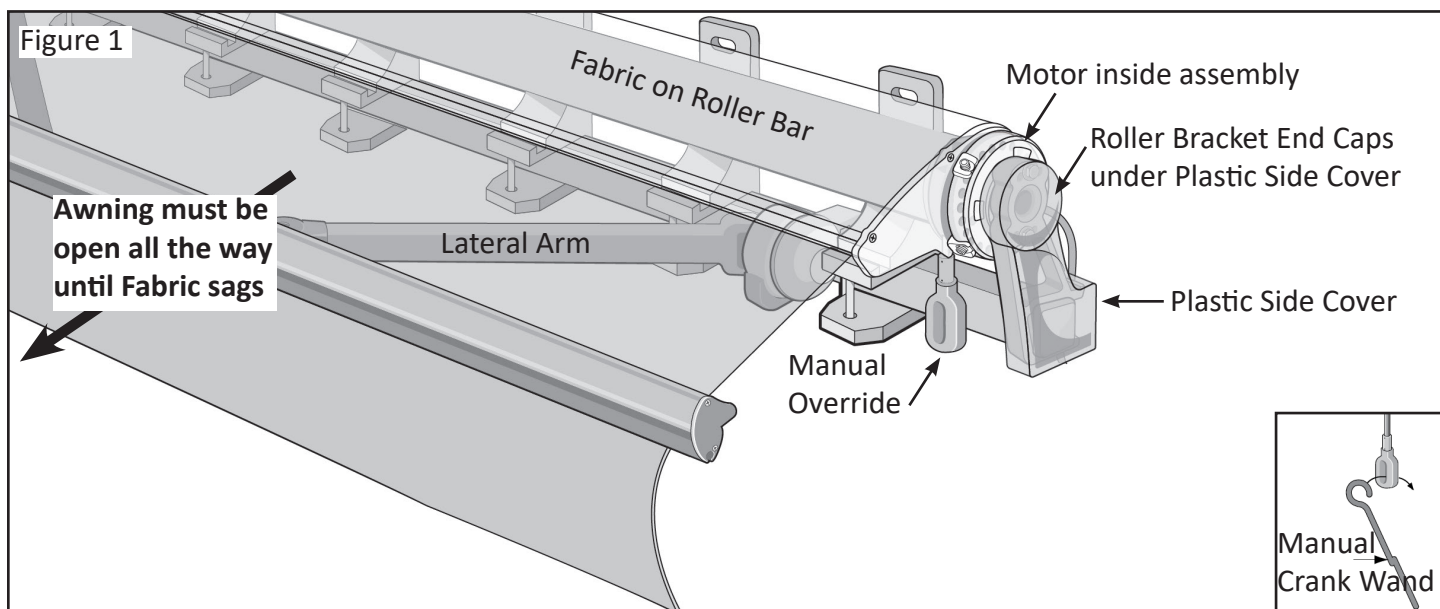
Tools Needed: Step Ladders, #2 Phillips Screwdriver, $\frac{3}{16}$ " , 3mm and 6mm Allen wrenches.

Parts Supplied: Motor with Crown and Drive Gears attached.

WARNING: FAILURE TO FOLLOW THESE INSTRUCTIONS CAN RESULT IN PERSONAL INJURY!!
PLEASE READ THESE INSTRUCTIONS IN ITS ENTIRETY BEFORE ATTEMPTING TO COMPLETE THIS PROCESS.

PLEASE NOTE THAT LEFT AND RIGHT REFERENCES ARE AS YOU ARE FACING THE HOUSE.

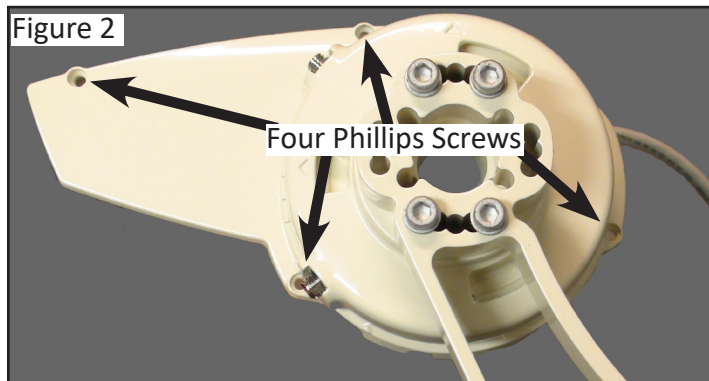
Before beginning, please familiarize yourself with the Awning and components in **Figure 1**.



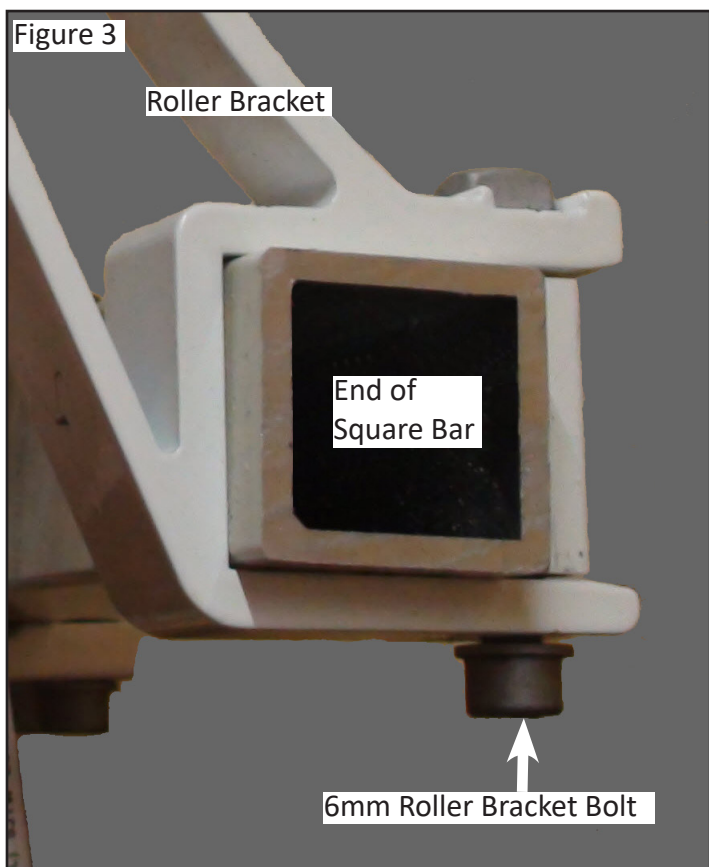
1. Open the Awning to the fully extended position.
2. Unplug the power cord from the wall outlet.
3. Using the Manual Crank Wand, **continue to unroll the Fabric until you expose the Fabric Slot in the Roller Bar and create maximum slack in the Fabric.** The Lateral Arms will be fully extended and the Fabric will lay loosely over the fully extended Lateral Arms.
4. Remove the Plastic Side Cover from the Motor end of the Semi-Cassette Awning. See **Figure 1**.
5. Have one helper **hold the Roller Bar** (inside the Semi-Cassette Housing) near the Roller Bracket on the side that is opposite of the Motor.

Note: This is necessary to keep the Roller Bar from coming out of the Roller Bracket while the Motor is removed from the other side.

- Remove the four (4) Phillips screws from the Roller Bracket End Cap on the Motor end of the Awning, but NOT the four Allen Cap Bolts. See **Figure 2**. Requires a #2 Phillips screwdriver.



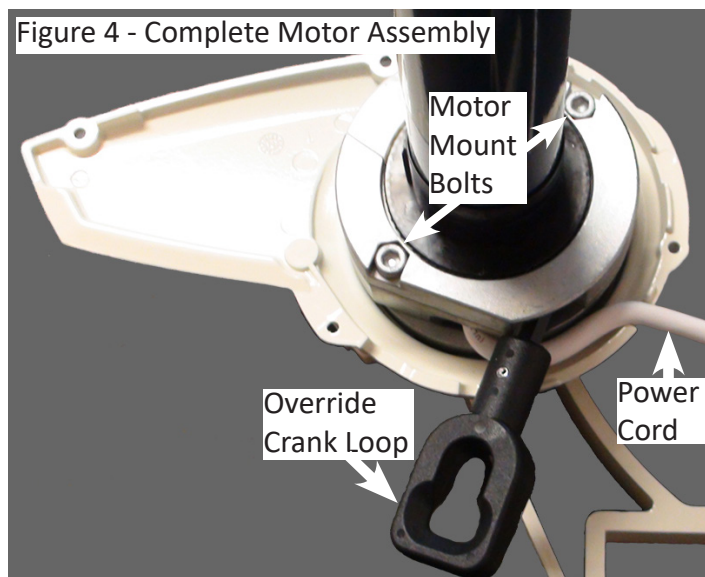
- Loosen the Allen Cap Bolt on the Roller Bracket, where it connects to the Square Bar. Requires a 6mm Allen wrench. See **Figure 3**.



- While your helper holds the other end of the Roller Bar from sliding out of the Roller Bracket, remove the Motor Assembly by sliding it out of the Roller Bar and away from the Awning Housing.
Note: Leave the Motor attached to the Roller Bracket and End Cap assembly.

- Mark the orientation of the Override Crank Loop and Power Cable. See **Figure 4**.

Note: These marks will help during the Motor replacement procedure.



- Remove **ONE** of the two Motor Mount Bolts attaching the Motor to the assembly. Requires a $\frac{3}{16}$ " Allen wrench. Loosen the other bolt, but do not remove it. See **Figure 5**.



- Swivel the Motor away from the Motor Mount Plate and **mark the hole** where the Allen cap Motor Mount Bolt was removed. See **Figure 5**.

Note: This mark will help during the Motor replacement procedure.

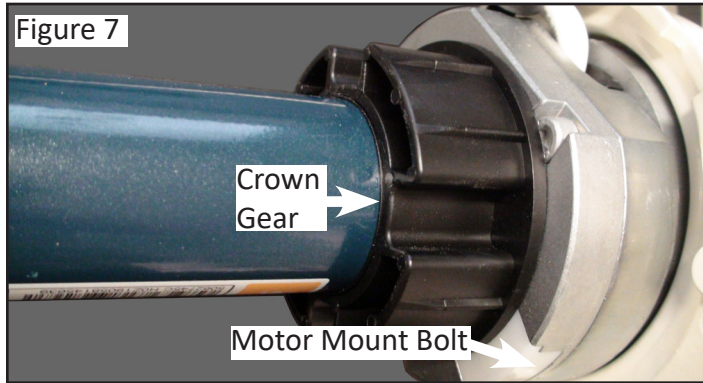
- Remove the second Motor Mount Bolt. The Motor will separate from the assembly.
- Note the orientation of the Override Crank Loop. Remove it from the old Motor. Requires a 3mm Allen wrench. Install it on the Replacement Motor.
- Remove the twist off power cord extension from original Motor. Install it on the Replacement Motor.

15. If a Motor Mount Plate exists on the replacement Motor, remove it now and discard it. See **Figure 6**.



16. Align the replacement Motor with the Motor Mount Assembly. Note the opening where the Power Cord passes through.

17. Attach one Motor Mount Bolt, threading into the hole marked in **Step 11**. See **Figure 7**.



18. Attach the second Motor Mount Bolt.

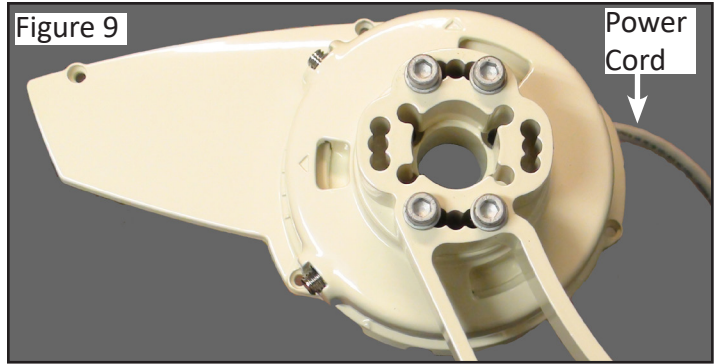
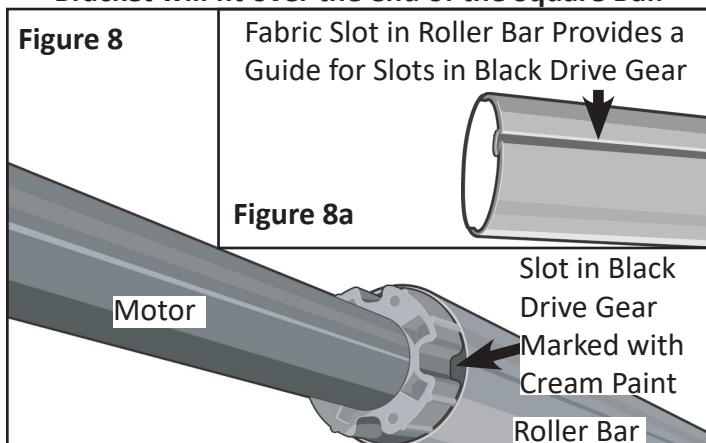
19. Tighten both bolts, being careful to not overtighten them.

20. Slide the Crown Gear toward the end of the Motor. See **Figure 7**.

21. Insert the Motor into the Roller Bar. See **Figures 8 and 8a**.

- Align the Drive Gear (marked with cream paint) with the Fabric Slot in the Roller Bar.
- Slide the Motor into the Roller Bar.
- Align the Roller Bracket with the Square Bar.
- Keep the Crank Loop pointed down, toward the front of the Awning.
- Route the Power Cord through the small opening toward the back of the Assembly.

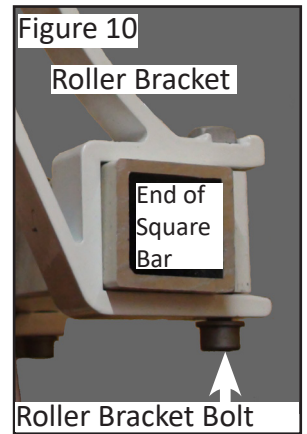
Note: When the Motor is fully seated, the Roller Bracket will fit over the end of the Square Bar.



22. Tighten the 6mm Roller Bracket Bolt tightly.

Note: The Roller Bracket should seat full over the end of the Square Bar. See **Figure 10**.

WARNING: DO NOT OVERTIGHTEN THIS ROLLER BRACKET BOLT. OVERTIGHTENING THIS BOLT COULD RESULT IN THE ROLLER BRACKET BREAKING, WHICH COULD RESULT IN PERSONAL INJURY.



23. Attach the plastic Side Cover removed in **Step 4**.

24. Using the Manual Crank Wand, close the Awning all the way.

Note: Do not use the Motor to close the Awning at this time, or the OPEN and CLOSE stop position settings could be damaged, requiring reprogramming of the Awning's Motor.

25. Plug in the Power Cord.

26. Test the Awning for proper operation.

Appendix A

This procedure describes the actions needed to establish communication between the new Motor and the Remote Transmitter that will be used to control your Awning and set the new CLOSE and OPEN positions.

Tools needed: A pen or similar pointing device is needed to press and hold the Programming Button.

WARNING: THIS PROCEDURE MUST BE FOLLOWED THOROUGHLY AND COMPLETELY.

Front View



Rear View



Note: Using the Channel Selector Button, set the Remote to the preferred Channel.

1. Press and Hold the **CLOSE** and **OPEN** buttons together until the Awning jogs.
Note: If your Awning Motor is installed on the **left** as you face the house continue with Step 3. If your Awning Motor is installed on the **right** as you face the house continue with Step 2, to change the direction of the Motor rotation.
2. To change the Motor direction Press and Hold the **my** button until the motor jogs. The **CLOSE** button should cause the Awning to move in the close direction, with the Fabric rolling on to the top of the Roller Bar.
3. Use the **CLOSE** button to move the Awning to the desired closed position.
4. Press and Hold the **my** and **OPEN** buttons simultaneously; release them when the Awning begins to open.
5. Press the **my** button to Stop the Awning at the desired open position.
6. Use the **CLOSE** and **OPEN** buttons to make desired adjustments to the open position.
7. Press and Hold the **my** and **CLOSE** buttons simultaneously; release them when the Awning begins to move. The Awning stops at the close position set in step 3.
8. Press and Hold the **my** button; release when the Awning begins to move. The Awning will move slightly, then stop on its own.
9. Press and Hold the **Programming Button**, wait for awning to jog.
10. Process complete. Test the Awning for correct open and close settings.

Note: To only **adjust** the open or close settings, use the following procedures.

TO CHANGE THE OPEN LIMIT:

Move the Awning to its current open position and let it stop on its own. Press the **CLOSE** and **OPEN** buttons together until the Awning jogs, then release. Adjust to a new open position. Press the **my** button until the Awning jogs, then release. Check the new Open setting.

TO CHANGE THE CLOSE LIMIT:

Move the Awning to its current close position and let it stop on its own. Press the **CLOSE** and **OPEN** buttons together until the Awning jogs, then release. Adjust to a new close position. Press the **my** button until the awning jogs, then release. Check the new close setting.

To Add an Additional Control Device to the Awning;

- A. Press the Programming button on the back of the Remote Transmitter that controls your Awning and wait for a short movement or back and forth jog of the Motor.
- B. Press the Programming button on the Additional Control Device and hold until a short movement or jog of the Motor occurs.

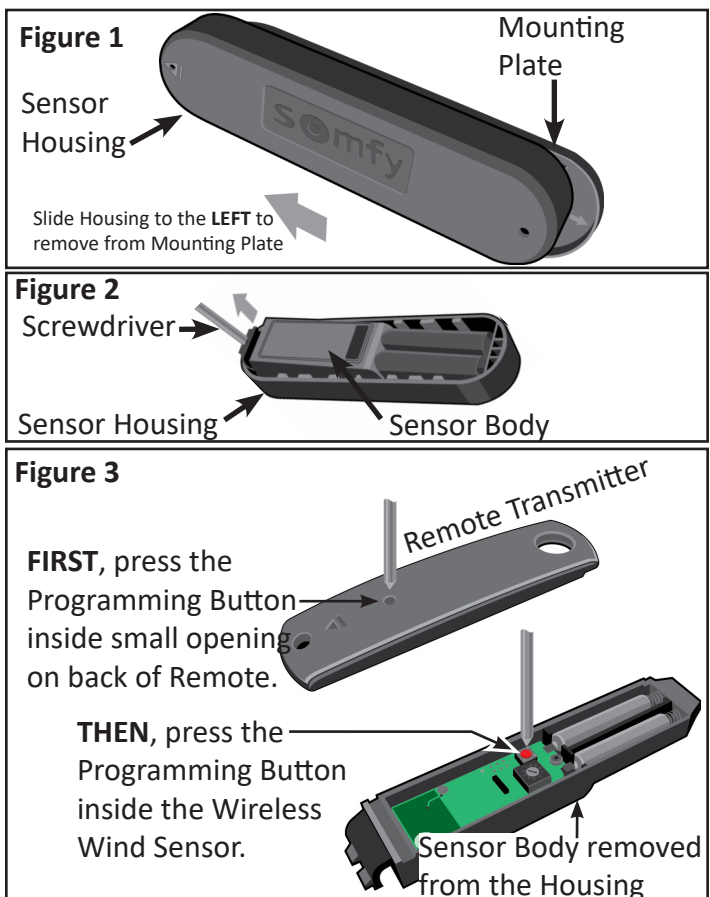
Test the added Device. The Device can be removed by following the same two steps.

Add a Wireless Wind Sensor

1. Remove the Wireless Wind Sensor Housing from the Mounting Plate on the Awning. See **Figure 1**.
2. Remove the Sensor Body from the Sensor Housing using a small flat blade screwdriver. See **Figure 2**.
3. Press the Programming Button on the back of the **Remote Transmitter that operates the Awning** (See **Figure 3**) until the Motor “jogs”. A “jog” is a short back and forth movement of the motor.
4. Press the Programming Button located inside the Sensor (See **Figure 3**) until the Motor “jogs,” then release. **The LED on the Sensor Body will blink.** If the LED does not blink, replace the two AAA batteries, unplug the motor then plug it back in, then restart this procedure at **Step 3**..
5. Replace the Wind Sensor on the Mounting Plate.
6. Test the Wireless Wind Sensor - Shake the Awning Front Bar up and down (lift the Front Bar approximately one foot, then drop it) quickly 4 or more times in a row (for approximately 12 seconds) to simulate the effect of strong wind; this should cause the Awning to automatically close.
7. If the Awning does not close automatically:
 - repeat **Step 6** several more times by strongly shaking the Front Bar up and down quickly. **To shake the Front Bar, lift the Bar until strong resistance is met, then allow the Bar to drop freely. Repeat quickly.**
 - If the Awning still does not close automatically, **repeat Steps 1 - 6 several more times with a NEW SET OF BATTERIES.**
 - If the problem continues, please call SunSetter Customer Service at **800-670-7071**.

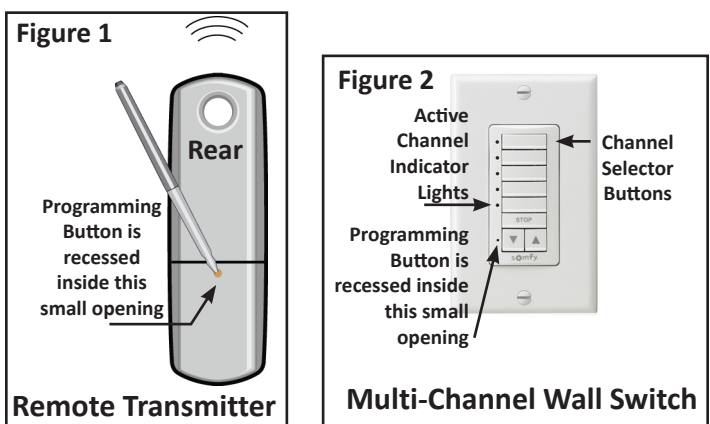
Note: The Awning Motor will not accept a command from the Remote Transmitter for up to 1 minute after the Wireless Wind Sensor has retracted the Awning three times.

WARNING: YOU MUST BE CERTAIN THAT THE WIRELESS WIND SENSOR IS INSTALLED, PROGRAMMED AND OPERATING PROPERLY. FAILURE TO DO SO MAY RESULT IN THE WIRELESS WIND SENSOR NOT BEING ABLE TO CLOSE YOUR AWNING DURING WINDY CONDITIONS, WHICH COULD CAUSE DAMAGE AND PERSONAL INJURY. IF THE MOTOR DIRECTION IS REVERSED THE SENSOR WILL EXTEND (OPEN) THE AWNING IN WINDY CONDITIONS, INSTEAD OF CLOSING IT.



Add a Wireless Wall Switch

1. Press the Programming Button (recessed inside the opening) on the rear of the Remote Transmitter (see **Figure 1**), that controls your Awning until it responds with a movement.
2. Briefly press the Channel Select Button for the channel of the Multi-Channel Wall Switch that you want to use to control your Awning (see **Figure 2**). The adjacent LED will light up for 10 seconds. Using a paper clip or similar device, press the Programming Button located on the Wall Switch until the Motor responds with a movement.
3. Your Wall Switch is set to operate your SunSetter Awning. Test the Awning now for proper operation.



This page intentionally left blank